

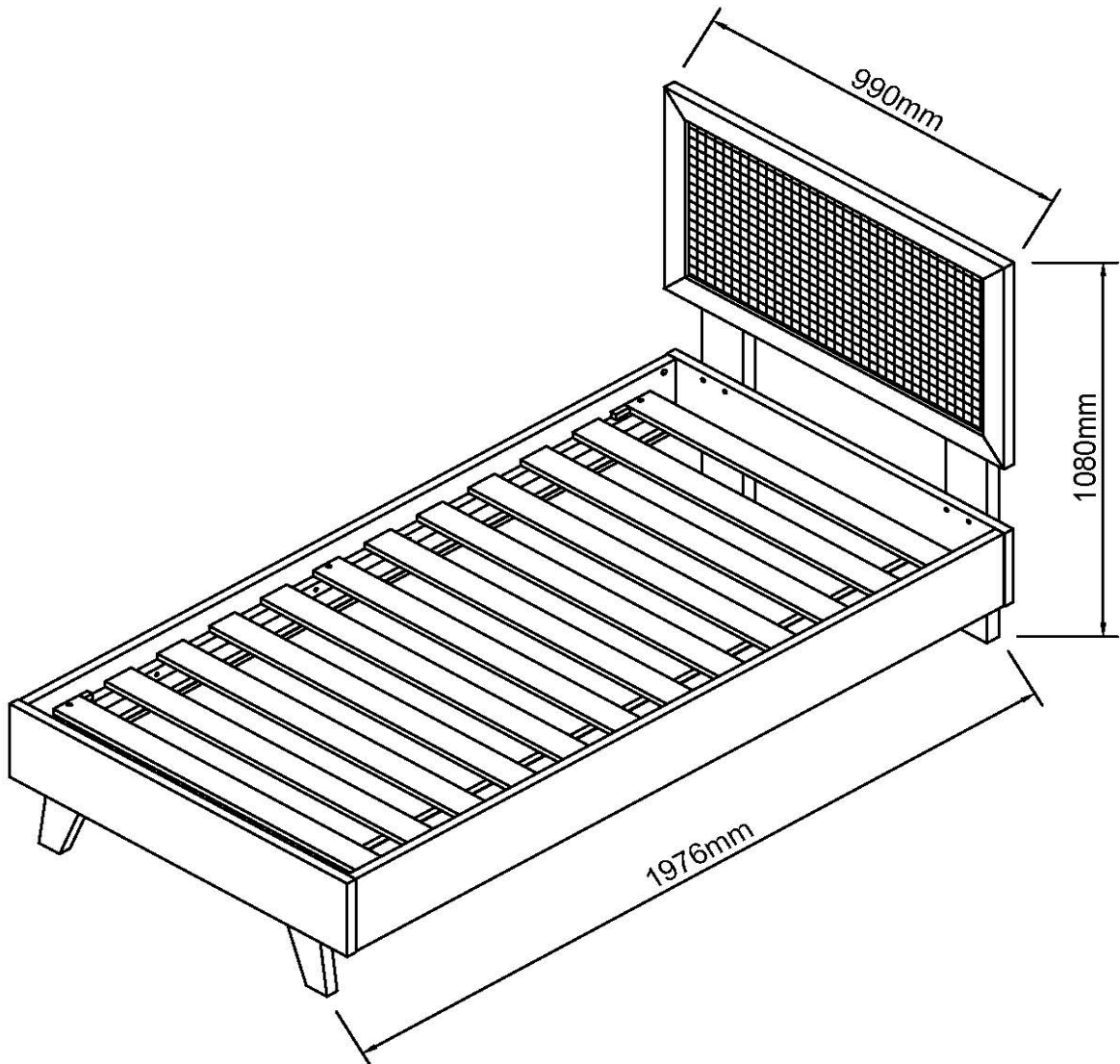


ASSEMBLY INSTRUCTION

NARA SINGLE BED

ITEM CODE 75897

Imported by Amart Furniture Pty Ltd, Qld, Brisbane Australia.
For any assistance with assembly or for missing parts please
phone Amart Furniture , Customer Service Free call 1800 351
084



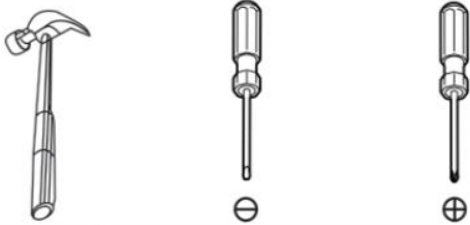


Imported by Amart Furniture Pty Ltd, Brisbane ,Qld Australia.
For any assistance with assembly or for missing parts please phone
Amart Furniture, Customer Service Free call 1800 351 084

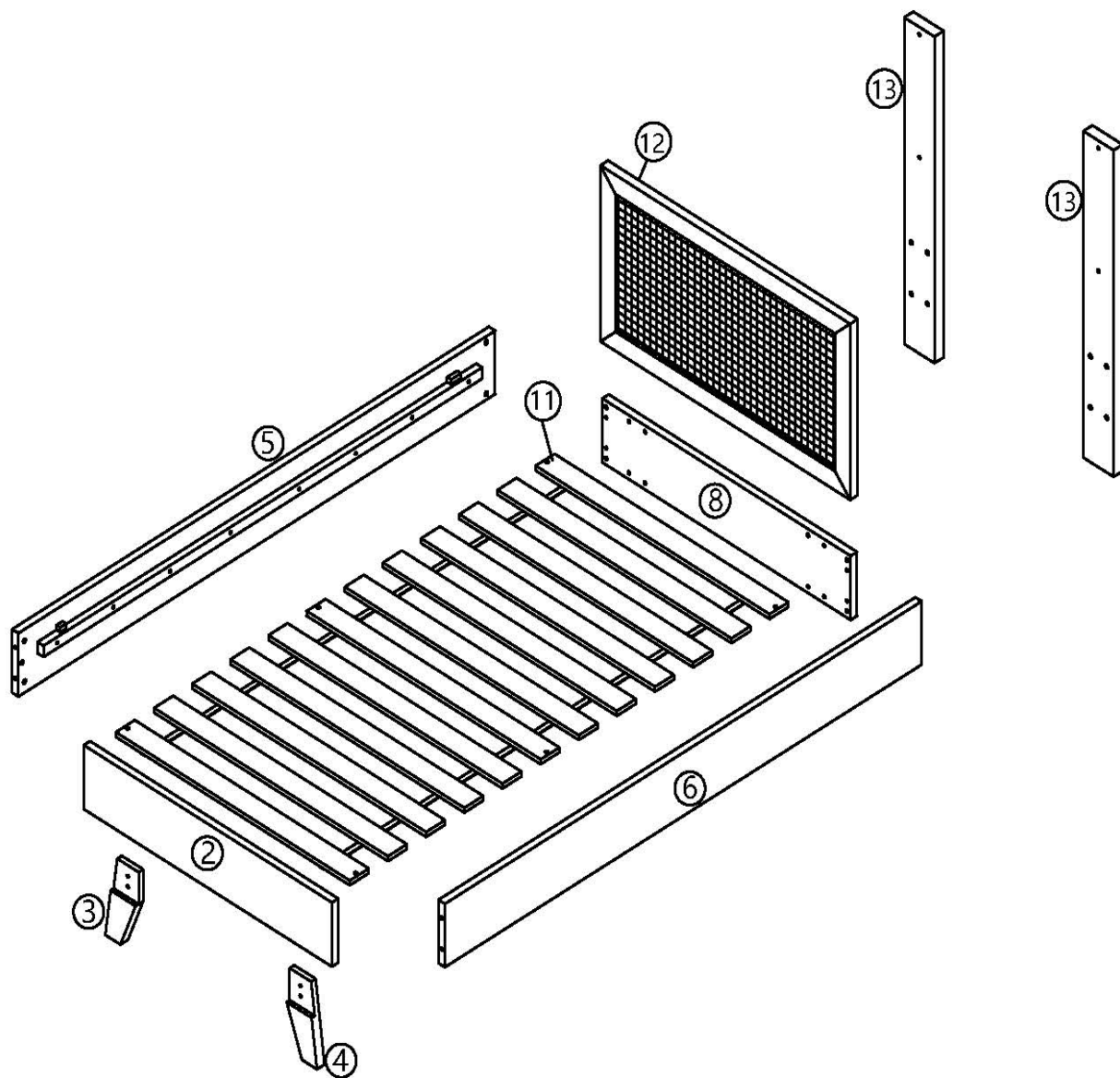
PRE-ASSEMBLY PREPARATION

Before you start:

1. Choose a clean, level, spacious assembly area. Avoid hard surfaces that may damage the product
2. Take care when lifting. Product should be assembled as near as possible to the point of use
3. Ensure that you have all required contents for complete assembly
4. Always read the assembly instructions carefully before beginning assembly.
5. Keep all hardware parts and packaging out of reach of small children.
6. Do not over tighten the screws and bolts as this may damage the threads





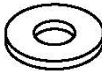
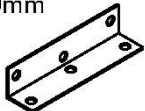




		
Allow 20 min	For 2 person	Additional tools required

PARTS LIST


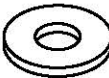



2	FOOTBOARD
3	FOOTBOARD LEG
4	FOOTBOARD LEG
5	SIDE RAIL
6	SIDE RAIL

8	HEADBOARD SUPPORT BOARD
11	SLATS
12	HEADBOARD
13	HEADBOARD LEG

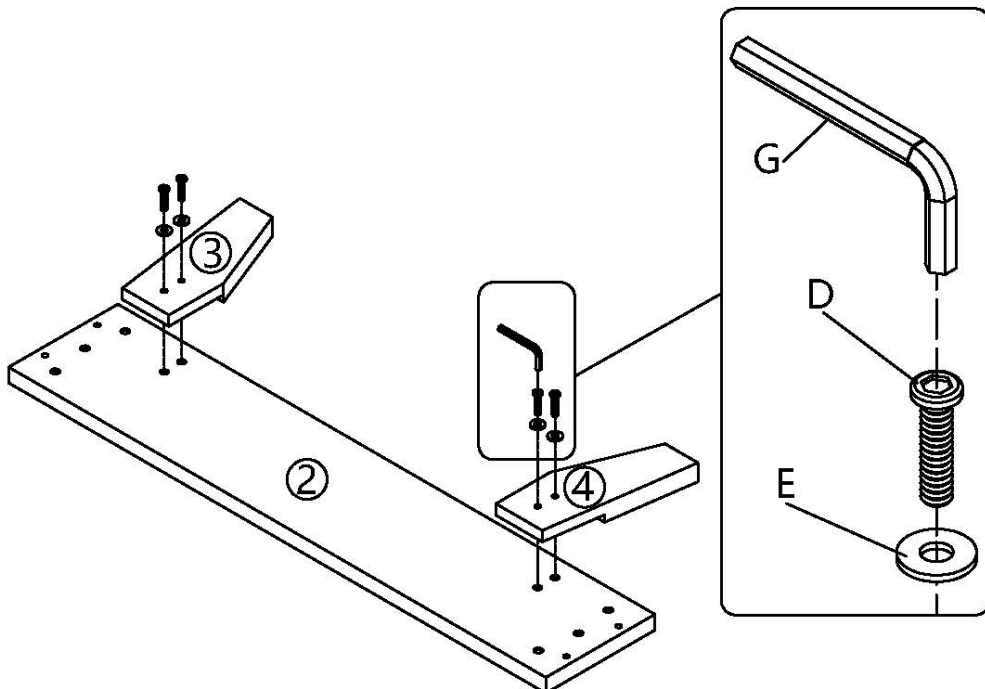
<p>A. $\phi 8 \times 40 \text{mm}$</p>  <p>AX8</p>	<p>B. M4X30mm</p>  <p>BX6</p>	<p>C. M6X20mm</p>  <p>CX12</p>	<p>D. M6X40mm</p>  <p>DX16</p>
<p>E.</p>  <p>EX28</p>	<p>F. L150mm</p>  <p>FX2</p>	<p>G. M4</p>  <p>GX1</p>	<p>I. M8X75mm</p>  <p>IX4</p>
<p>J. M8X20</p>  <p>JX4</p>	<p>K. M5</p>  <p>KX1</p>		

STEP 1:

<p>D. M6X40mm</p>  <p>DX4</p>	<p>E.</p>  <p>EX4</p>	<p>G. M4</p>  <p>GX1</p>
--	--	---

Attach the footboard legs(3)(4) to footboard(2) with bolt (D) and washer (E) using allen key (G).

Note that the footboard legs are divided into left and right, please install them as show in the figure.



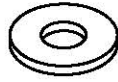
STEP 2:

D. M6X40mm



DX4

E.



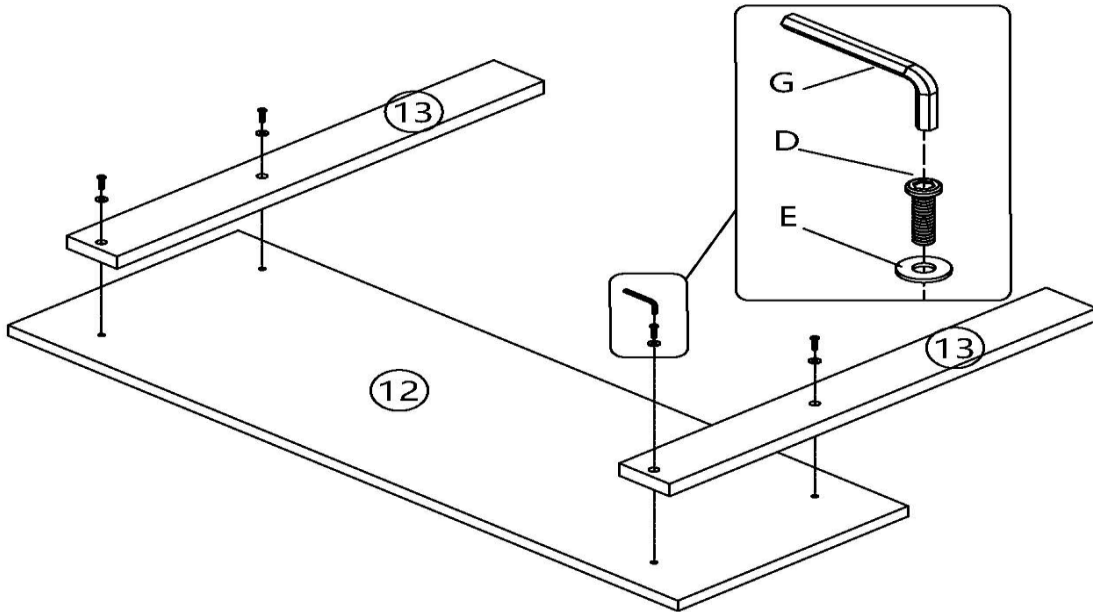
EX4

G. M4



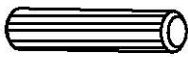
GX1

Attach headboard legs (13) to headboard (12) with bolt (D) and washer (E) using allen key (G)



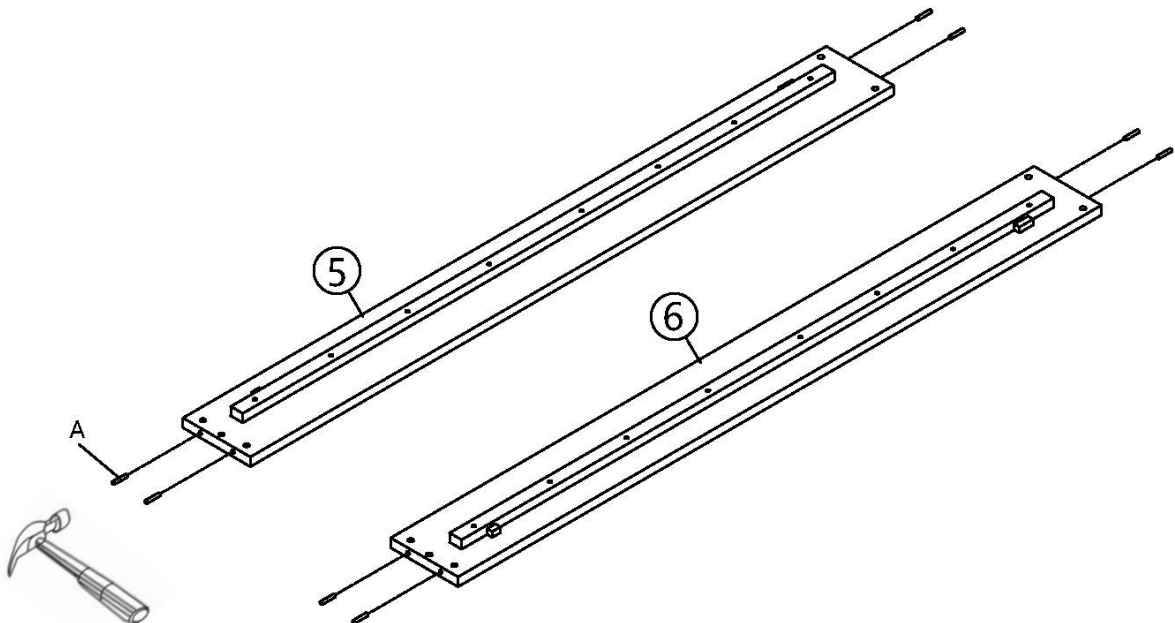
STEP 3:

A. $\phi 8 \times 40 \text{mm}$



AX8

Insert dowel (A) to siderails (5)(6)



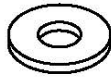
STEP 4:

C. M6X20mm



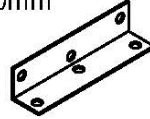
CX6

E.



EX6

F. L150mm



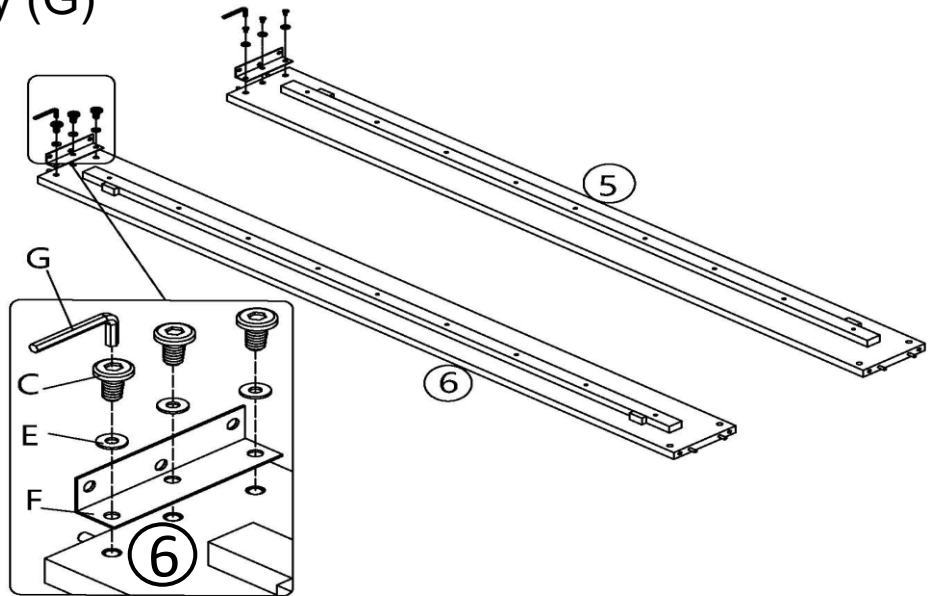
FX2

G. M4



GX1

Fix angle irons(F) to siderails (5)(6) with bolt (C) and washer (E) using allen key (G)



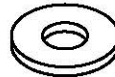
STEP 5:

C. M6X20mm



CX6

E.



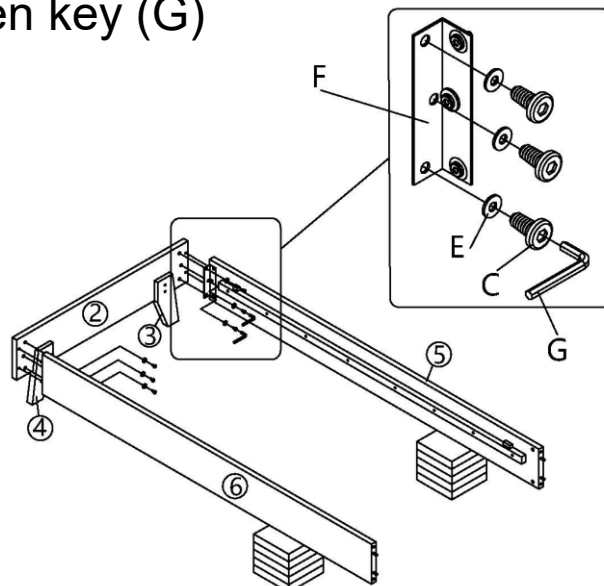
EX6

G. M4

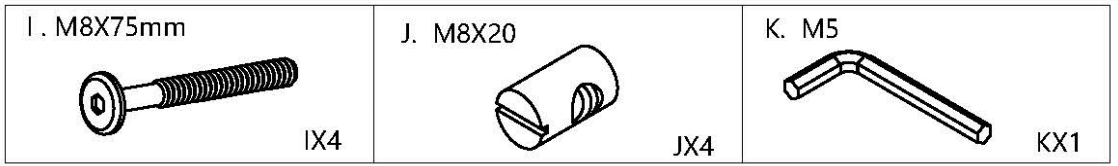


GX1

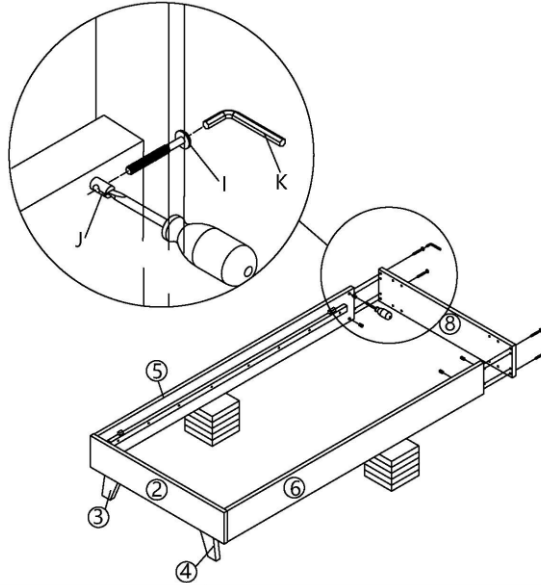
Attach siderails (5)(6) to footboard (2) with bolt (C) and washer (E) using allen key (G)



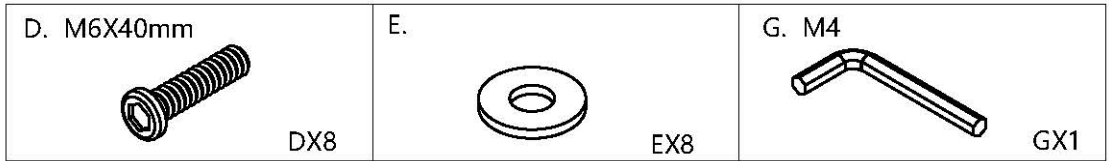
STEP 6:



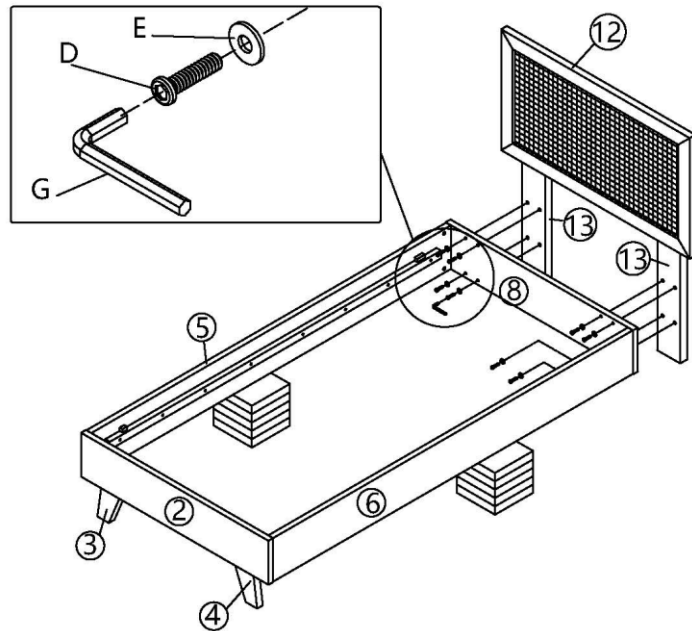
Attach the headboard support board(8) to siderails (5)(6) with hexagon socket screw (I) and nut (J) using allen key (K)



STEP 7:



Attach headboard support board(8) to headboard legs (13) with bolt (D) and washer (E) using allen key(G)



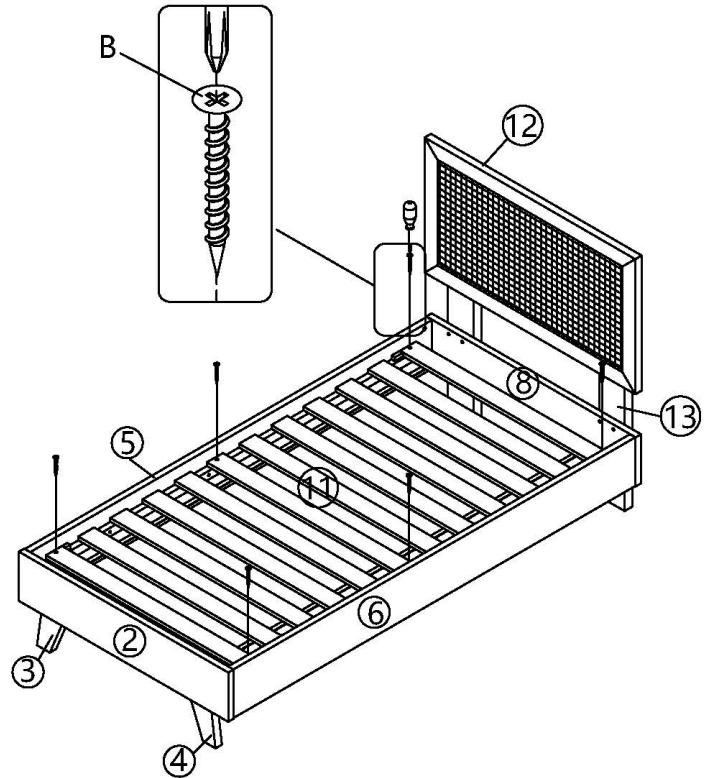
STEP 8:

B. M4X30mm



BX 6

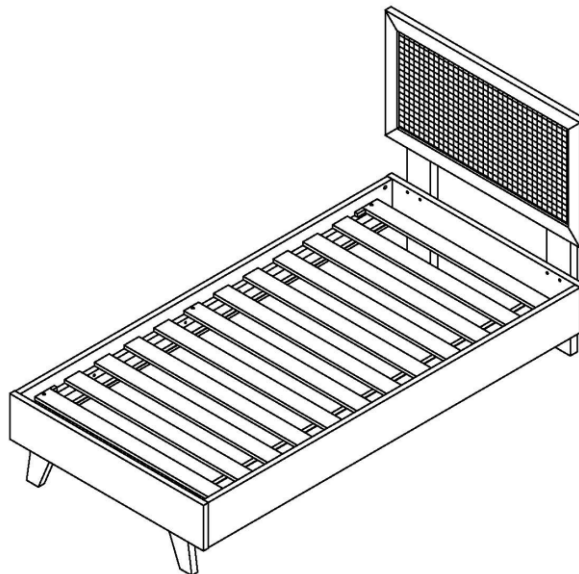
Attach slats (11) to the existing unit using screws (B).



ASSEMBLY IS COMPLETE

CAUTION

Always Lift Your Bed When Moving /Relocating - Do Not Drag. Dragging Can Cause The Centre Support Legs To Bend/Break.



To protect your furniture, we suggest the following:

- Avoid placing your furniture in direct sunlight.
- Do not place furniture directly under windows.
- Do not place sharp materials (knife, fork, etc.) directly onto your furniture as sharp material may scrape and damage the finish.
- Do not place material with high temperature directly onto the surface of your furniture.
- Clean up spills quickly. Water left over a prolonged period of time may cause damage. Alcohol, perfume, nail polishes, aftershave and some medication may cause severe finish damage if not cleaned immediately.
- Use a clean, soft, dry, lint free absorbent cloth to clean your furniture. Do not use any detergent as they may contain ingredients that may react and damage the finish.

NOTE: If the above care advise is not adhered to your product warranty may become void